

# KONE revolving door 100

FOR SMOOTH AND CONVENIENT PEOPLE FLOW

A premium revolving door designed to complement buildings where visual appearance is as important as performance. Its high-quality glass and steel design is fully customizable for a seamless fit with the modern glass façades that are common in high-end office buildings and prestige hotels.



KONE revolving door 100 is designed to complement buildings where visual appearance is as important as performance.

## Design

The fully transparent glass leaves, available with or without a central column, add a touch of prestige to any lobby.

## Durable and hygienic

The glass and steel panels are resistant to wear and tear, vandal-proof, and easy to clean.

## Drive unit

The drive unit can be installed in the floor pit or fixed to the ceiling of the room directly underneath the door.

## EN16005 compliant

The KONE revolving door 100 is fully compliant with the EN16005 regulations on the safety in use of power-operated pedestrian doors.

## Throughput

Depending on the door diameter and the profile, throughput varies from 11 up to 21 people per minute in each direction.

## KEY BENEFITS

- Fully transparent glass leaves for a prestige appearance
- Constructed completely with glass with few stainless steel parts to ensure robustness and durability
- Available with two profiles, 25 and 40mm, depending on building environment
- Drive unit can be installed in a floor pit
- Collapsible/foldable door leaves as options for 40 mm profile system
- Manual night slides as an option

# KONE revolving door 100

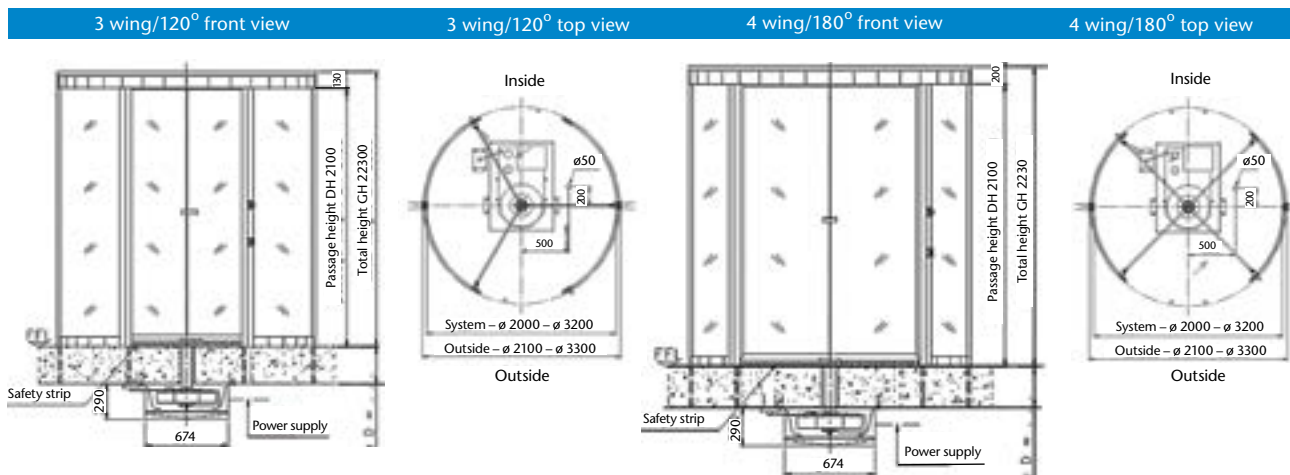
Selection matrix KONE revolving door 100				
120° ( 3 wings)			180° ( 4 wings)	
Capacity	Diameter (mm)	Troughput Persons/min/direction	Diameter (mm)	Troughput Persons/min/direction
1 adult and 1 child	2100 – 2700	11 – 19	2100 – 3200	11– 21
2 adults	2900 – 3300	18– 22	3300	20– 21

Options	
Manual night slide	Yes
Motorized night slide	No
Resistance class	RC2
Door leaves/foldable	Up to 3300 mm
Air curtain integrated	x



Technical specifications*		
Construction	Outside diameter	2100 – 3300
	Inner diameter	2000 – 3200
	Total height	2230
	Passage height	2100
	Body top	130
	Number of leaves	3 or 4
	Rotary cycle	120° or 180°
Body	Side panels	8 mm laminated glass
	Thermal separation	Facade level
	Safety strips	Stop door movement on activation
	Top cover/ceiling	2 laminated glass segments
Rotating unit	Framed in T25 and T40 aluminum profiles	
	Safety glass	6 mm ( T25 profile) and 8 mm ( T40 profile) toughened glass
	Sealing brushes	
	Bolt lock prepared for profile cylinder on-site	
Finish	Powder coated in a RAL color or silver anodized	
Operation	Fully automatic, sensor-operated drive unit with two push buttons for wheelchair access and two emergency stop buttons	
	Integrated control system	
Power (main) supply	230 V, 50 Hz	
Installation	On finished floor level	
Applications	Prestige hotels, office buildings and retail centers	

\* All dimensions in mm



**KONE Corporation**  
[www.kone.com](http://www.kone.com)

This publication is for general informational purposes only and we reserve the right at any time to alter the product design and specifications. No statement this publication contains shall be construed as a warranty or condition, express or implied, as to any product, its fitness for any particular purpose, merchantability, quality or representation of the terms of any purchase agreement. Minor differences between printed and actual colors may exist. KONE MonoSpace®, KONE EcoDisc®, KONE Care®, KONE Polaris™ and People Flow® are registered trademarks of KONE Corporation. Copyright © 2014 KONE Corporation.